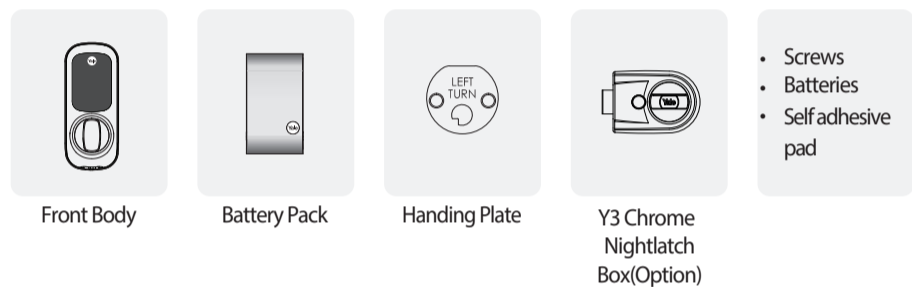


12 Contents Include

Fit Yale digital lock using hand Philips screw driver to avoid cross threading fixing screws.
If using a cordless, please ensure it is set to low speed & torque.



ISL-1290-01

Before getting started

Did you purchase the Yale Digital Lock including a Y3 Nightlatch?

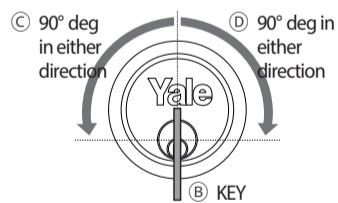
YES, I have bought the complete package to install them onto my door.
→ Please start from installation step **2** ON THE RIGHT PAGE

NO, I am going to keep using the existing Nightlatch on my door with the Yale digital product.
→ There are many types of Nightlatches, so please start from installation step **1** BELOW, and follow the check points for correct installation.

1 Check Point!!!

Please use the key of your existing Nightlatch and check the below

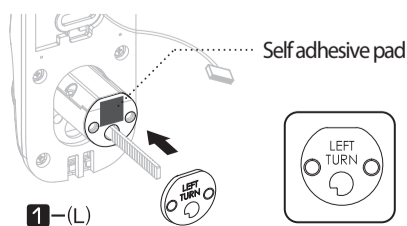
- A Keep your door open
- B Insert the key in the outside cylinder key hole
- C Turn the key 90° in either direction counter clockwise (to the left) and check the latch fully retracts
- D Turn the key 90° in either direction clockwise (to the right) and check the latch fully retracts



Can you open with your key in both directions? Please go to step **2**

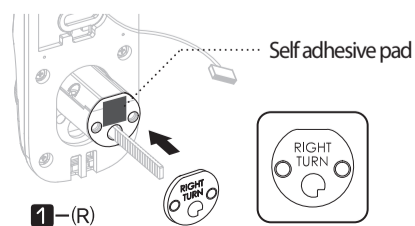
Can you open with your key only in the left direction? Not in the right direction?
→ Your Nightlatch needs an additional plate.
PLEASE GO TO STEP **1**-(L)

Please attach the additional handing plate tightly onto the cylinder fixing surface.
The plate must be aligned with the shape.
Make sure the 'LEFT TURN' is shown as the image below if your latch is opened only to the LEFT direction by the key.



Can you open with your key only in the right direction? Not in the left direction?
→ Your Nightlatch needs an additional plate.
PLEASE GO TO STEP **1**-(R)

Please attach the additional handing plate tightly onto the cylinder fixing surface.
The plate must be aligned with the shape.
Make sure the 'RIGHT TURN' is shown as the image below if your latch is opened only to the RIGHT direction by the key.



smart
Yale Living

Keyless Connected Smart Lock Installation Guide



Please read the instructions before fitting and using the Keyless Connected lock.

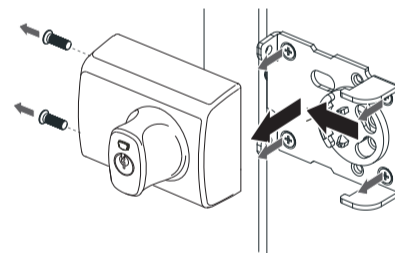
The functions and design of this product can be changed without prior notice for performance and quality improvements.

ASSA ABLOY

An ASSA ABLOY Group brand

The smarter way to protect your home.

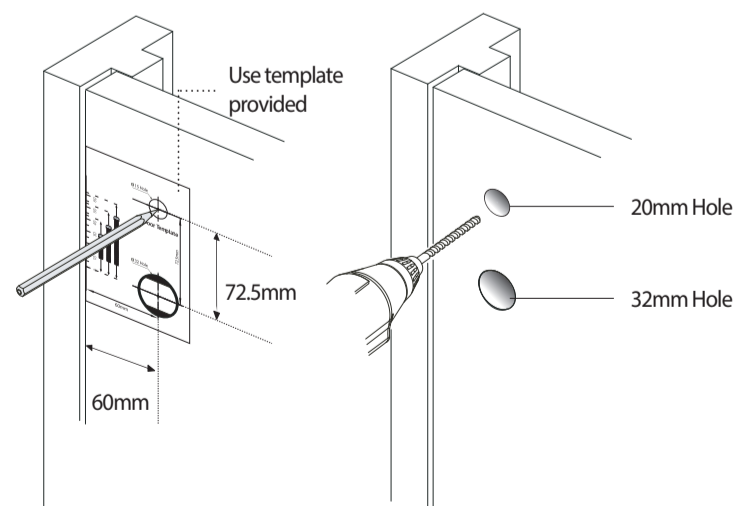
2 Disassemble Lockset



Please disassemble your existing Nightlatch case and mounting plate.

*The nightlatch & plates above are generic images. If you are retrofitting Yale digital lock, your product may be different.

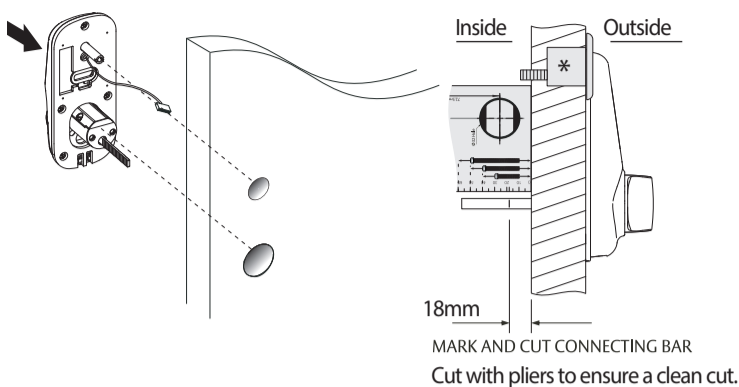
3 Door Preparation



At the height you want your lock, use a pencil to mark a spot exactly 60mm from the edge of the door. At that spot, drill a 32mm diameter hole through the door.

Door Template

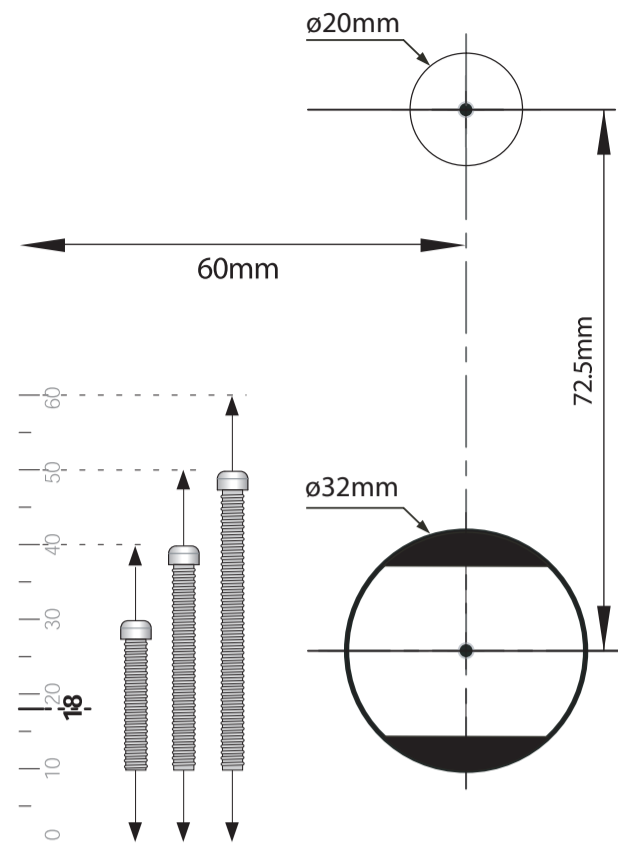
4 Cut Connecting Bar



Place the electronic keypad in the hole on the outside of the door. Measure the connecting bar with the provided template, then mark at 18mm and cut. If necessary, use a hacksaw to shorten the flat connecting bar so it projects 18mm beyond the surface of the door.

* If you are retrofitting with your existing Nightlatch, please place your existing cylinder onto the door side and mark and cut the connecting bar at the same length with your cylinder. (Please refer to the * marked image above)

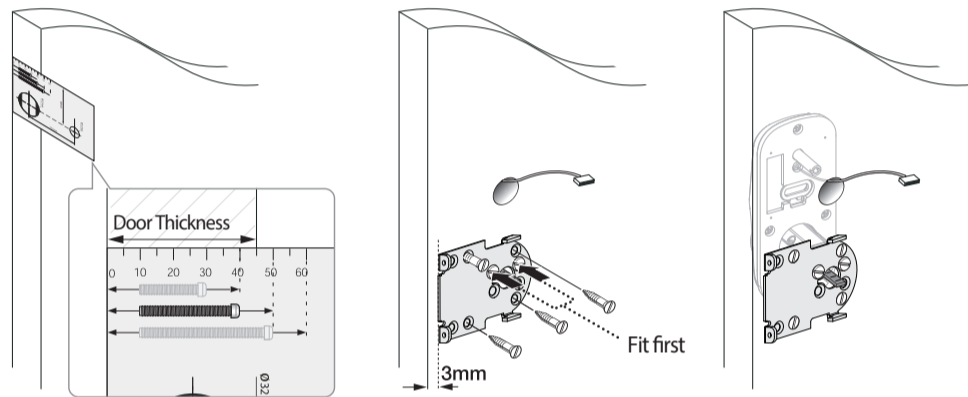
Warning: The projection of the connecting bar is important to ensure the lock works correctly. If you are fitting with Y3 Nightlatch, it should not be shorter than 18mm. If you are retrofitting, please make sure you do not cut the tail bar shorter than the existing tail bar.



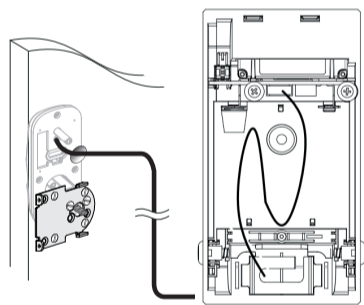
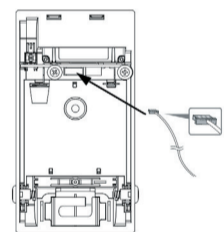
5 Mount External Keypad and Mounting Plate

Use the template provided to choose correct screw length according to your door thickness.

Fix with the cylinder retaining screws first that you chose. Make sure the front keypad is aligned before fixing the screws tightly. Now fix the mounting plate onto the door.

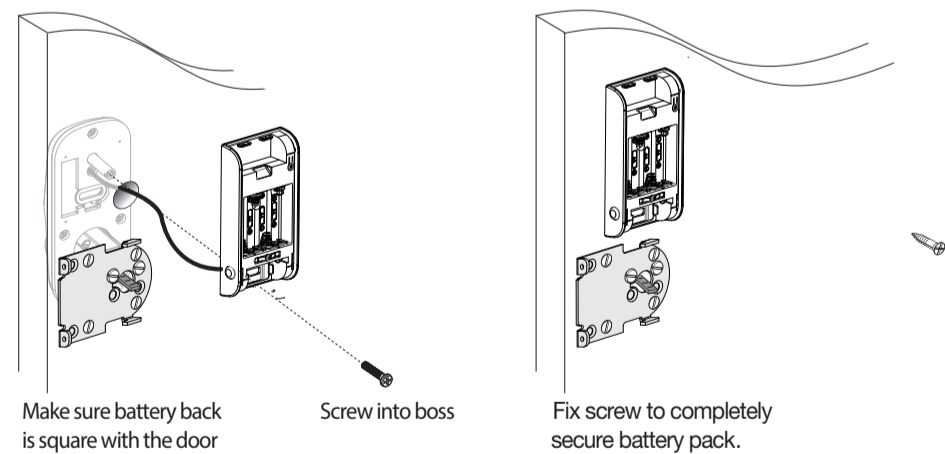


6 Secure Battery Pack

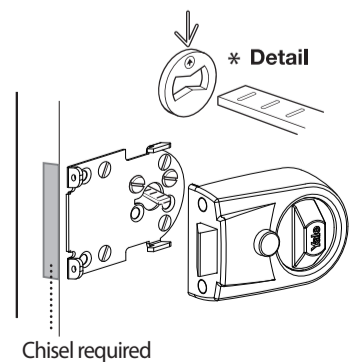


Connect the cable to the battery pack

Feed the cable through the slot and then, being careful not to overlap it, zig-zag any excess cable behind the battery pack.



7 Place Lock Case and Chisel

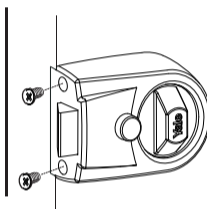


* If you have used a handing plate on STEP 1-(L) or 1-(R), please turn the follower to the end position according to your direction before fixing the lock case.

Place the lock case over the mounting plate, making sure the flat connecting bar is inside the slot in the lock case. Push the lock case down and sideward. Mark the outline of the lip of the lock case on the edge of the door, remove the lock body and chisel a recess to hold it securely in place when the lock is fitted.

if you have difficulty locating the bar into the slot in the lock case, enter the master code 123456 followed by * to unlock the lock, this will engage the bar and make it easier to locate.

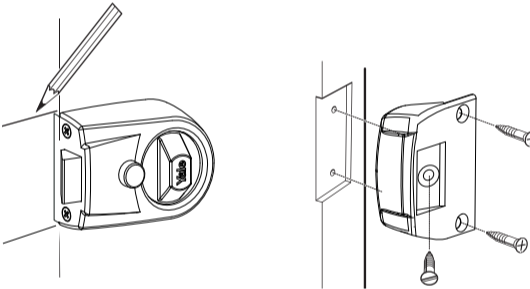
8 Secure Lock Case



Repeat step 7 to position the lock case flush with the edge of the door. Secure the lock case to the mounting plate with the two small screws provided.

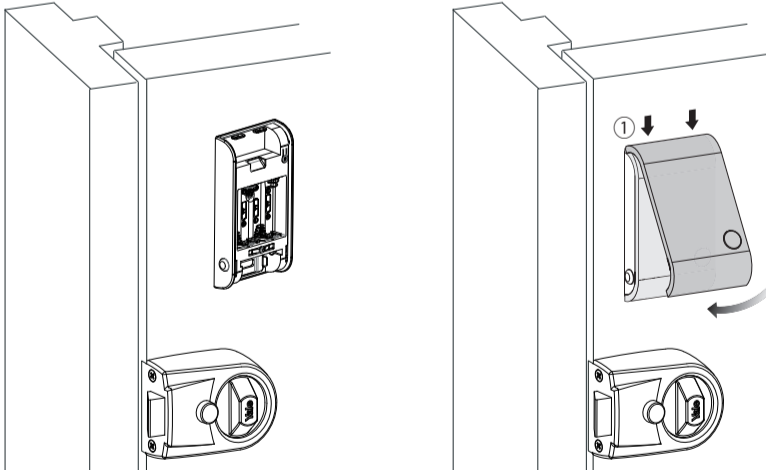
(Tip: With the lock fitted if you experience resistance turning the inside knob or turning the key in the outside cylinder the length of the connecting bar will need adjusting. Please use a file to take a little more off the length of the connecting bar and refit the lock case. This will only need fine tuning to ensure the smooth operation of your lock)

9 Staple Fitting



Close the door and using the lock case as a guide mark the position of the remaining component - the 'staple' - on the door frame. Chisel out a recess in the door frame to hold the staple flush with the frame and fix it with the screws provided.

10 Insert Batteries and Close the Cover



11 Check Points after Installation

- A Make sure to leave the door open when registering your PIN because you may accidentally lock the door while trying to register or change your PIN code.
- B Touch the keypad with your palm to wake up the keypad.
- C Enter a PIN code 123456 and enter * button or touch the keypad with your palm to open the door.
- D Turn the knob handle several times to retract the latch bolt.
- E The knob handle will not retract the latch bolt after few seconds.

PLEASE NOTE: Remember to change your master code after installation.

Warning: To avoid any possibility of being locked out, do not close the door until a PIN code has been successfully registered to allow access back in.