



Opal XL Motion Detector



The Opal external PIR detector is IP55 rated with a 10 to 35 metre detection range. It is an inconspicuous and extremely popular external passive infra-red detector that works in conjunction with GJD's security lighting controllers.

When used with the GJD range of security lighting controllers, 24 hour indication and movement activated lighting for a timed period is automatically provided.

PRODUCT CODES

GJD020 Opal XL Motion Detector

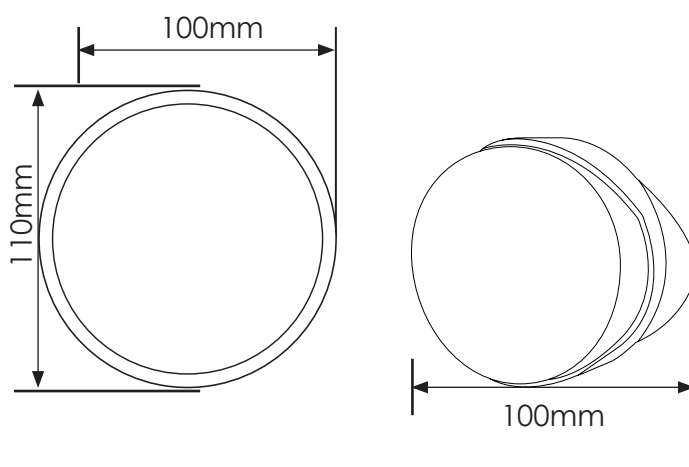
UNIQUE FEATURES

- Works with GJD security lighting controllers
- UV stabilised lens cover
- Adjustable pan and tilt
- High impact ABS housing
- Pet immunity option
- Internal fully adjustable bracket

END USER BENEFITS

- IP55 rated
- Covert detection
- Energy efficient
- 24 hour protection
- Range selectable
- Aesthetic design

DIMENSIONS & WEIGHT



APPLICATIONS



RESIDENTIAL



COMMERCIAL



INDUSTRIAL



BORDERS



MILITARY BASES



PORTS



POWER PLANTS



HERITAGE



AIRPORTS



PRISONS

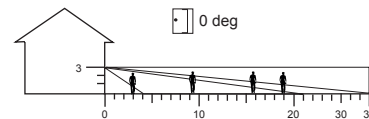
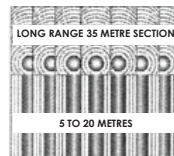
Range	Adjustable up to 35m
Coverage	90° detection angle, 35m x 30m coverage max.
Adjustment	180° pan & 90° tilt
Mounting Height	Variable up to 6m - optimum 3m
Fresnel Lens	36 zone, which can be masked with special masking tape (supplied)
Outputs	"A" Open collector -ve switching - 25mA max. Alarm period 400ms "S" Open collector -ve switching - 25mA max. Alarm period: detection +60 sec
Power Input	9 to 15 VDC
Current	6mA (12V nominal)
Lux Level Adjustable	Dusk (2 Lux) to 24 hour
Operating Temp	-20°C to +55°C. Conformally coated electronics for increased stability
Housing	High Impact ABS Housing
Protection Rating	IP55



BEAM PATTERNS

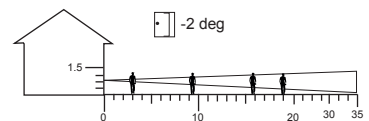
MULTI-BEAM OPTIMUM

HEIGHT 3 METRES
RANGE MAXIMUM
MODULE TILT 0 DEGREE



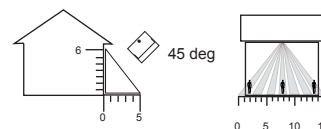
PET IMMUNITY

HEIGHT 1.5 METRES
RANGE MAXIMUM
MODULE TILT -2 DEGREE



CURTAIN COVERAGE

HEIGHT 6 METRES
RANGE MAXIMUM
MODULE TILT 45 DEGREE



Please note GJD reserve the right to change the information within this document, without notice.

www.gjd.co.uk | info@gjd.co.uk | +44 (0) 1706 363 998

Unit 2 Birch Business Park, Whittle Lane, Heywood, Greater Manchester, OL10 2SX, UK

DS020-30-04-15

