



D-TECT X 50 Motion Detector

The D-TECT X 50 Wireless detector is a BS 8418 compliant, twin PIR external wireless movement detector with a line of sight communication range of up to 500 metres. When triggered it can individually or simultaneously, control and activate CCTV cameras, security lights, DVRs, auto-diallers and virtually any low-voltage switching device.

It has a pan and tilt facility with a programmable beam range of up to 50 metres, avoiding boundary overspill.

PRODUCT CODES

GJD510 D-TECT X 50 Wireless Detector

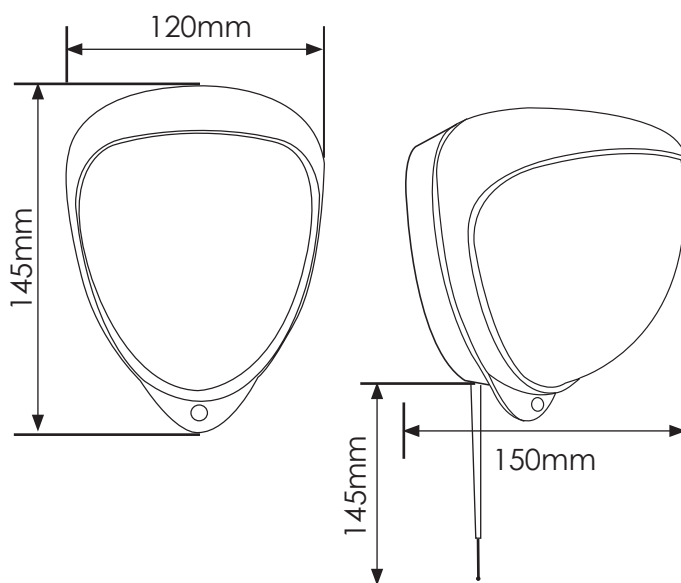
UNIQUE FEATURES

- Transmits radio signals in one of over 16.7million individual codes over a range of 500 metres, to the D-TECT X receiver
- Adjustable pan 180° and tilt 90°
- Internal masking curtains
- Powered by 3 x AA Alkaline batteries or by an optional 12-2 4V AC/DC supply
- Covert sensor module

END USER BENEFITS

- Long range wireless operation
- Modern design
- Exceptional resistance to false alarms
- High immunity to triggers from the sun, reflections and shadows
- IP55 rated robust zinc alloy metal housing
- Front and rear tamper switches

DIMENSIONS



SECTORS



RESIDENTIAL



COMMERCIAL



INDUSTRIAL



BORDERS



MILITARY BASES



PORTS



POWER PLANTS



HERITAGE



AIRPORTS



PRISONS

TECHNICAL SPECIFICATIONS

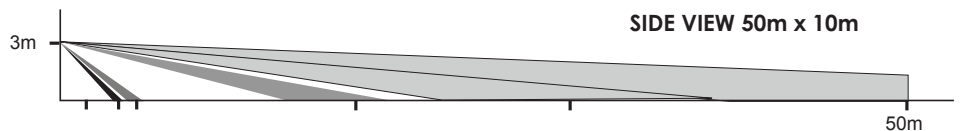
ACCESSORIES

GJD392	Receiver with 4 detector module
GJD393	4 detector expansion module
GJD394	Wireless signal strength & detection tester
GJD396	D-TECT X signal strength & walk tester kit

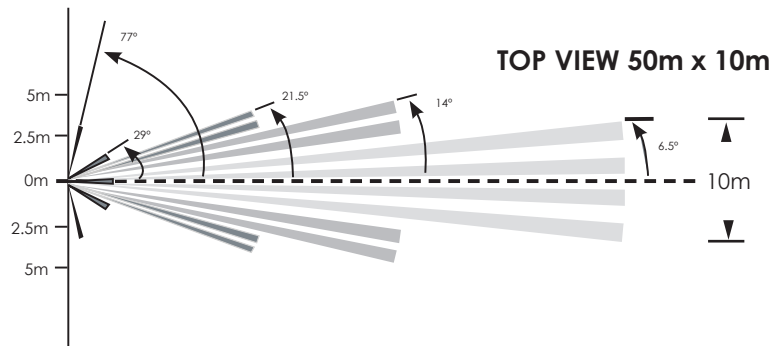
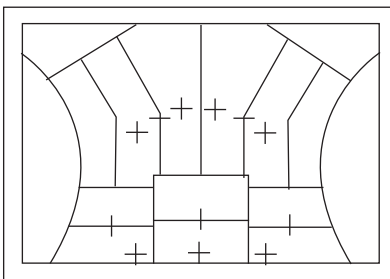
TRANSMISSION RANGE	Up to 500 metres (line of sight)
TRANSMISSION CODES	16,700,000
BEAM DETECTION RANGE	Up to 50metres programmable
COVERAGE	50m x 10m Lens: 13° detection angle, 50m x 10m coverage max
ADJUSTMENT	180° pan + 90° tilt
MOUNTING HEIGHT	Variable up to 4m - optimum 3m
FRESNEL LENS	50m x 10m Lens: 4 main long range beams, 8 intermediate beams and 12 dip short range beams
CUSTOMISED OPTICS	Double silicon shielded quad element eliminates 50,000 Lux of white light
POWER INPUT	*3 x AA batteries or optional 12 - 24V AC/DC
PULSE COUNT	1 - 2
WALK TEST	Output test mode using walk test signal strength detector
OPERATING TEMPERATURE	-20°C to + 55°C conformally coated electronics for increased stability
TEMP. COMPENSATION	Digital sensitivity adjustment
TIMER OPTIONS	2 to 60 seconds
LIGHT SENSING	Dusk (2 Lux) to 24 hour
HOUSING	High impact zinc alloy
PROTECTION RATING	Minimum IP 55
DIMENSIONS	145 x 120 x 145 mm (excluding aerial)
WEIGHT	1310g NET, 1400g GROSS

*Batteries not included

BEAM COVERAGE



FRONT LENS VIEW 50m x 10m



Please note GJD reserve the right to change the information within this document, without notice.

