



Opal RFX Wireless Detector

The Opal RFX is a robust external 35 metre passive Infra-Red intruder detector, designed to detect and transmit reliable event-based triggers to the weatherproof RFX-3 Receiver.

These combined units enable simultaneous or individual control of cameras, DVR's and virtually all low voltage switching requirements.

On installation the integral, dual axis bracket of the sensor allows 180° of pan and 90° tilt to ensure the accurate aiming of the detection beams. The ABS vandal resistant housing has a UV stabilised translucent front cover to provide additional protection to the optics.

All activity signals are directed to their respective volt free outputs and in addition there are a further nine individual monitoring and information outputs.

PRODUCT CODES

GJD017 RFX-3 Receiver

GJD018 Opal RFX

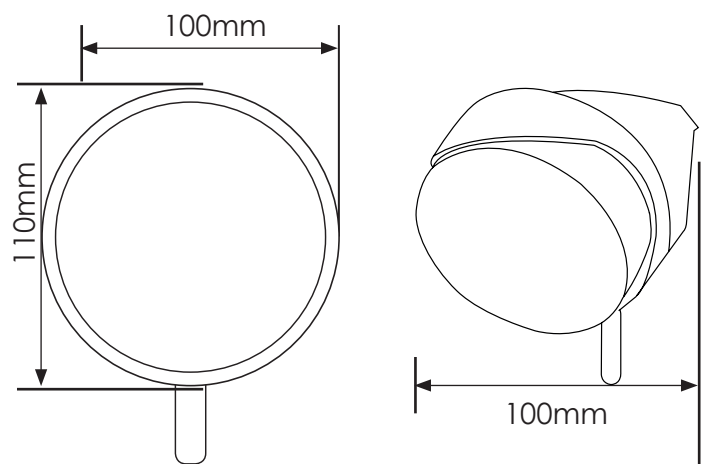
UNIQUE FEATURES

- Fully adjustable range
- Wireless detector
- Battery powered
- UV stabilised high impact ABS housing
- White-light filter

END USER BENEFITS

- IP55 rated
- Low voltage
- Energy efficient
- Weatherproof
- Cost efficient
- Covert sensor module

DIMENSIONS



RFX-3 RECEIVER



SECTORS



RESIDENTIAL



COMMERCIAL



INDUSTRIAL



BORDERS



MILITARY BASES



PORTS



POWER PLANTS



HERITAGE





AIRPORTS



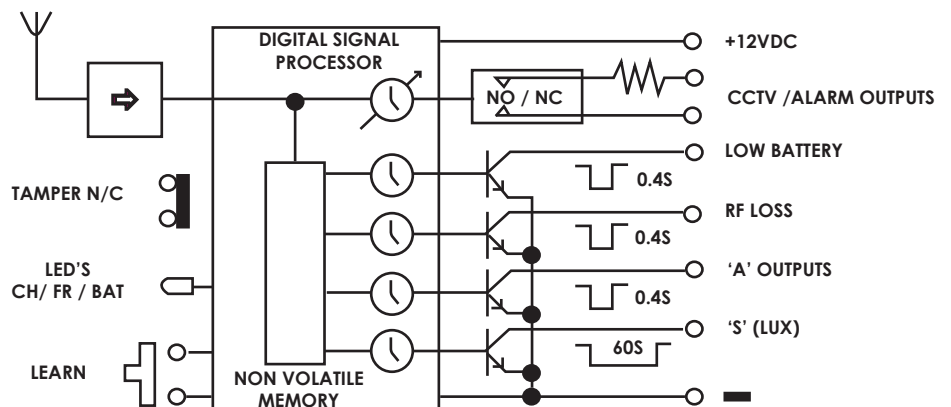
PRISONS

TECHNICAL SPECIFICATIONS

OPAL RFX WIRELESS PIR		GJD RFX-3 RECEIVER	
			
Supply	*2 x AAA Alkaline batteries 1.5V (not supplied) Low power - typical battery life 2 years	Supply	12VDC @ 35mA nominal (9 to 15VDC max)
Transmission	433.92 MHz frequency - SAW stabilised 150 metres line-of-sight	Reception	Monitors signal from up to 3 Opal RFX PIR's with high selectivity SAW filter
Detection Area	10 to 35m (adjustable) up to 750 sq m	Outputs (CCTV)	3 x independent volt free outputs. Selectable normally open (form A) or normally close (form B) Timers 0.4 to 60 seconds after last detection
Coverage	35m x 30m - 90° multifunction lens	Outputs (A)	3 x independent switching - ve outputs (24hr) rated @ 25mA - 0.4 seconds on detection
Adjustment	internal adjustment 180° pan and 90° tilt	Outputs (LUX)	1 x photocell controlled -ve switching Adjustable: Dusk (2 lux) to 24 hour Active 60 seconds after last detection
Fresnel lens	36 zone	Tamper	Housing back and front tamper volt free output (form B)
Optics	Double silicon shielded dual element eliminates 50,000+ lux of white light	RF Output	3 x independent RF/loss of signal -ve switching rated @250mA
Mounting	3m high for multibeam coverage, 6m high for curtain coverage and 1.5m with mask for pet immunity	Low Battery	Output - ve switching rated @250mA
Processing	Intelligent signal processing. Non volatile memory 16 million possible identification codes	Testing	Independent channel active indicators attendance reporting
Features	Area reduction mask (if required) Detection signal timer output 0.4 to 60 secs. Light level signal output 2 lux to daylight Pulse count 1, 2 & 3	Processing	Intelligent digital signal processing Plug in code memory transfer system Non volatile memory
Temperature	-20° C + 55° C	Temperature	-20° C + 55° C
Enclosure	IP55 rated Ultra violet stabilised high impact ABS	Enclosure	Weatherproof IP65 ABS housing
Weight	152 grams	Weight	340 grams
Dimension	110 high x 100 wide x 100mm deep	Dimensions	210 high x 180 wide x 70mm deep
Part Number	GJD018	Part Number	GJD017

*Batteries not included

GJD RFX-3 RECEIVER BLOCK DIAGRAM



Please note GJD reserve the right to change the information within this document, without notice.

www.gjd.co.uk | info@gjd.co.uk | +44 (0) 1706 363 998

Unit 2 Birch Business Park, Whittle Lane, Heywood, Greater Manchester, OL10 2SX, UK

DS018-30-04-15

